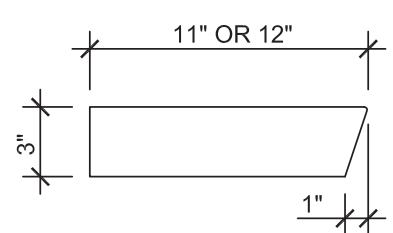
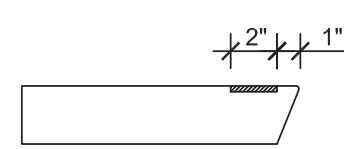


| | | | | | |
|--|--|---------------|--|------------------|--|
| <p>FILE: STP-5.0-07 REV: 06.02.11</p>  <p>WEDGE PROFILE</p> <p>A</p> |  <p>WEDGE PROFILE WITH INTEGRAL AGGREGATE WARNING DETAIL</p> <p>B</p> | | | | |
| <p>TREAD DETAILS- WEDGE</p> | | | | | |
| <table border="1"> <tr> <td data-bbox="1120 1428 1412 1480">SCALE: N.T.S.</td> <td data-bbox="1412 1428 1481 1480"></td> </tr> <tr> <td data-bbox="1120 1480 1412 1512">FILE: STP-5.0-07</td> <td data-bbox="1412 1480 1481 1512"></td> </tr> </table> | | SCALE: N.T.S. | | FILE: STP-5.0-07 | |
| SCALE: N.T.S. | | | | | |
| FILE: STP-5.0-07 | | | | | |

PRECAST CONCRETE TREADS AND LANDINGS SHOWN ON PLANS SHALL BE FROM THE LONG SPAN "STEPTREAD" SYSTEM BY "STEPSTONE, INC." OF GARDENA, CA FOR STEEL CONSTRUCTION. THE MANUFACTURER IS TO SUPPLY ALL PRECAST CONCRETE "STEPTREAD" SYSTEM PARTS, FEATURING BOTTOM WELD PLATES FOR WELD-ON CONNECTIONS. ALL REINFORCING AND CONNECTION PLATES WILL BE ZINC PLATED. ONLY ITEMS NOTED AS BY "STEPSTONE, INC." WILL BE FURNISHED BY "STEPSTONE, INC." SUCH ITEMS ARE TO BE INSTALLED BY OTHERS.